



AMRITLAKSHMI

Where every Machine is a Commitment



The Latest & Most Efficient
DIRECT WARPERS

from

AMRITLAKSHMI

in Co-operation

with **HUAFANG, China**



ABOUT US



N. K. Brahmachari began with Sales, Erection and Commissioning of Textile Machinery back in 1970 along with his father Shri K.C. Brahmachari. In 1978 he incorporated, Amritlakshmi Machine Works, a manufacturing house for Indigenous High End Weaving Preparatory Machinery.

Amritlakshmi grew to pioneer indigenous Direct Warpers, Sectional Warpers and Sizing Machines for both Spun and Filament Yarn.

Over 38 years Amritlakshmi established itself as a leader in design innovation and technological developments, first of its kind.

This year, Amritlakshmi brings a wider range of both indigenous and Imported choices to the Indian market.

Meet Mr. Brahmachari, the face behind Amritlakshmi's accomplishments and ensure the success of your Weaving project.



For me "Amritlakshmi" is a House of Versatile Technical Design and Expertise in Yarn Preparation. "Amritlakshmi" is my commitment to create a bright future for Weavers in India.

Range of Products both Indigenous & Imported :

- ▶ Direct Warpers with Creel for Spun Yarn (Cotton / Blended, PV, PC)
- ▶ Multi Cylinder Sizing Machines for Spun Yarn (Cotton/Blended, PV, PC)
- ▶ PLC Controlled 9 Motors Inverter Driven Double Sow Box Multi Cylinder Sizing Machine for High Speed Shuttle Less Looms & for Variety of Yarn.
- ▶ Warping, Sizing & Beaming Systems either 2 Tier (Creel to Beam System) or 3 Tier (Beam to Beam System) for Continuous Filament Yarn either Zero Twist or Low Twist.
- ▶ Mini Sizing Plant for Viscose /Polyester Filament Yarn.
- ▶ Sectional Warp Sizer
- ▶ Imported Beam to Cone Winding Machines
- ▶ Imported Denim Dyeing & Sizing
- ▶ Imported Spandex Yarn /Tape Warping Machine.
- ▶ Imported Split yarn Warping
- ▶ Imported Sectional Warping for Warp Knitting
- ▶ Complete Jute Warp Preparation Plant with Vector /Servo Drives
- ▶ Direct Beamer for Industrial Fabrics /Carpet/Jute/Flex/PP/Nylon Yarn.
- ▶ Beam to Beam Rewinders for several applications.



WARPING

MODEL - HFGA128



Main Technical Data

Width	1400-2800mm	Operational display	7" / 10.4" Touch Screen
Dia of Beam	800 1000mm	Input voltage	440 V
Braking distance	<2m(500m/min)	Creel	H Creel, V Creel
Reed traversing travel	10-20mm	Spindle pitch	250x250mm up to 330x330mm for Filament
Warping Speed	10-800m/min	Yarn ends	560 ends up to 800 / 1660 for Filament

MODEL – HD-1000



WARPING

HFGA1580 HIGH QUALITY HIGH EFFICIENCY WARMER FROM HUAFANG CHINA

Main Technical Data

Max. Speed	1200m/min
Inching Speed	<20m/min
Max. tension	450N
Max. Braking torque	1600Nm
Max. Braking torque	15Kw
Work width(mm)	1400 1600 1800 2000 2200 (optional)



Suitable for
Natural fibers
Synthetic yarns
Composite yarns



HMI

- ▶ Visualized program input and output
- ▶ Real color display device
- ▶ Displays current production data and production information
- ▶ Menu-type data input, reliability checking prevents input-error
- ▶ Automatic calculated procedure Parameters.
- ▶ Displays live process Parameters
- ▶ Display errors and causes, Provides solutions for removing errors



38 Years
Experience



Team Work



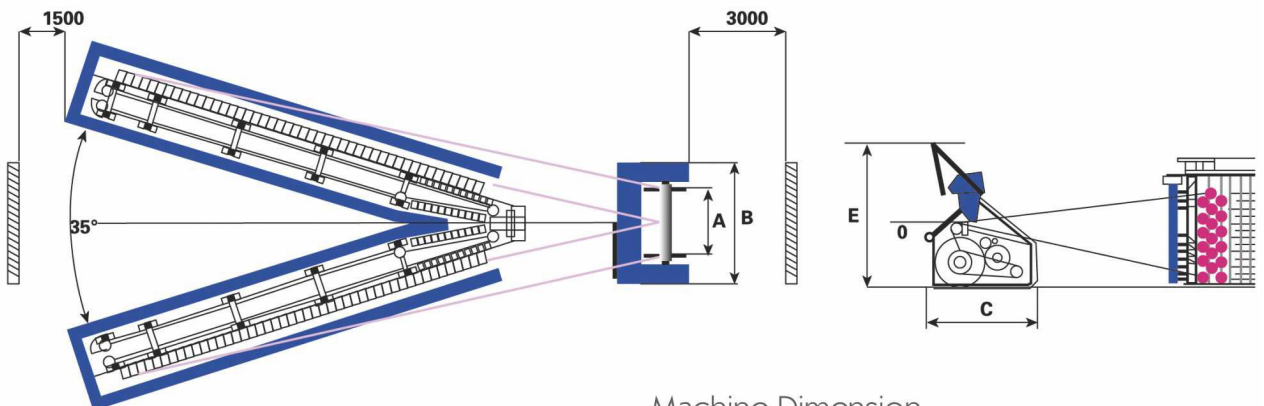
Commitment

WARPING

REVOLVING 'V' CREEL



'STOP' Sensor



Machine Dimension

Width (mm) B	Work width (A) + 1900
Depth (mm) C	2120
Height (mm) E	1800 (including wind shield)

WARPING

H CREEL



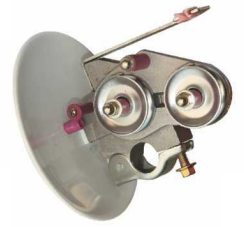
Ring type tensioner



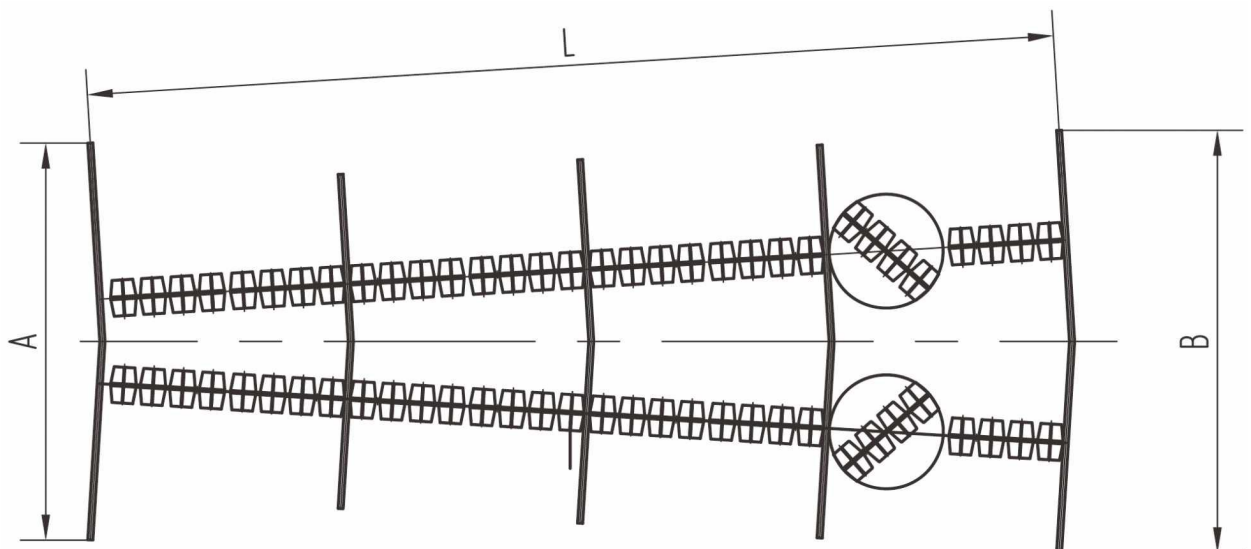
3-pillar tensioner



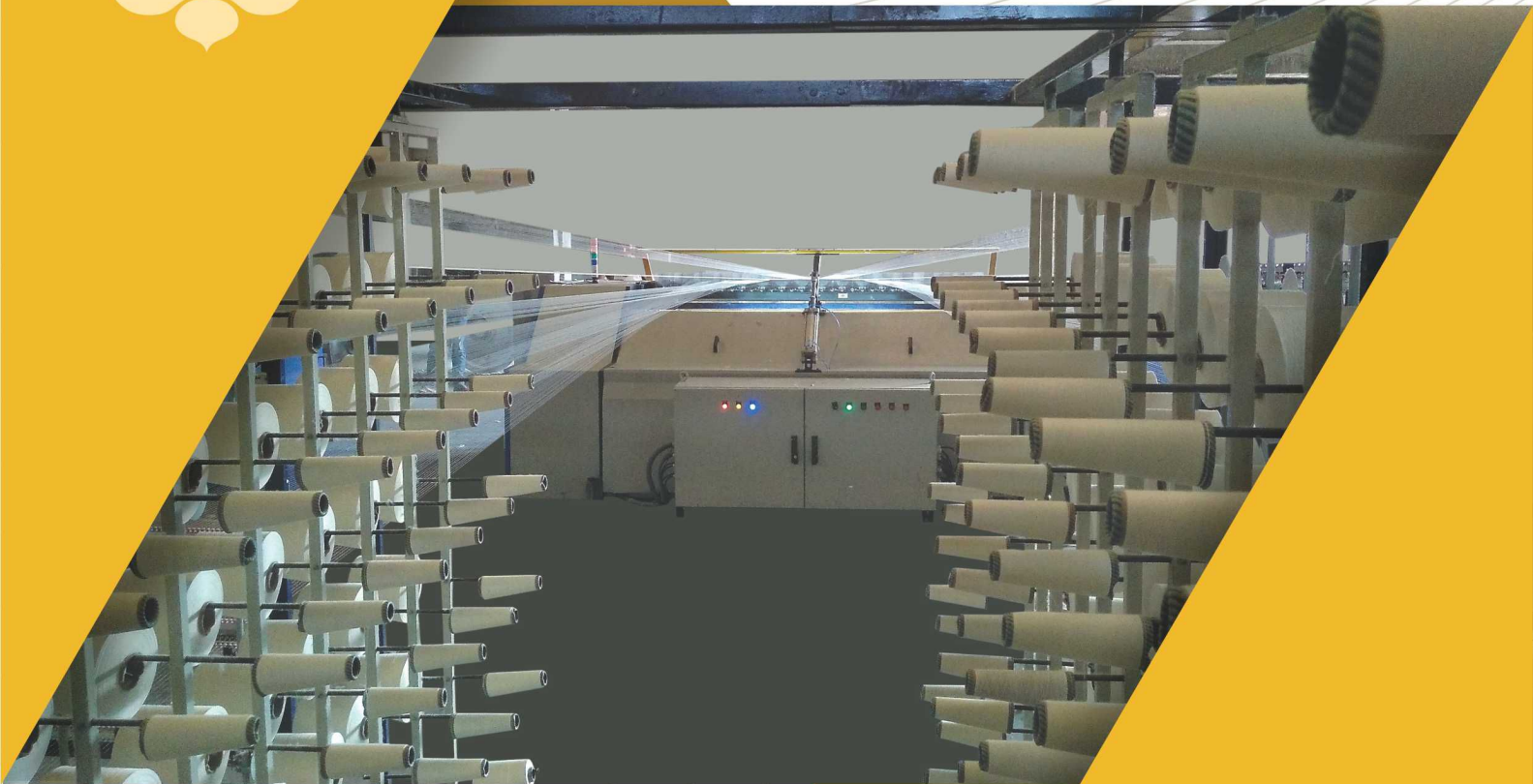
3-pillar magnetic suspension tensioner
(patent product)



2-pillar tensioner



Pitch / Ends	640			720		
	A	B	L	A	B	L
250 x 250	4494	4659	10350	4494	4814	11620
270 x 270	4633	4896	11150	4633	5064	9780
300 x 300	4633	5043	12350	4633	5230	13870



Sales Offices at :

- Mumbai
- Surat
- Ahmedabad
- Rajasthan
- Ichalkaranji
- Coimbatore

Sales Office :

76B, Mittal Tower, 7th Floor, B Wing, 210 Nariman Point, Mumbai- 400 021

Tel: 022-2284-9979, Cell: 80800-62392

E-mail : amritlakshmi@amritlakshmi.com Website: www.amritlakshmi.com